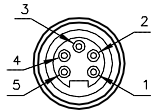
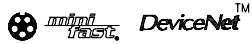


MALE END VIEW



- 1 = GRAY (SHIELD)
- 2 = RED (+ VOLTAGE)
- 3 = BLACK (- VOLTAGE)
- 4 = WHITE (CAN\_H)
- 5 = BLUE (CAN\_L)

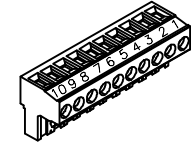
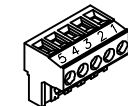
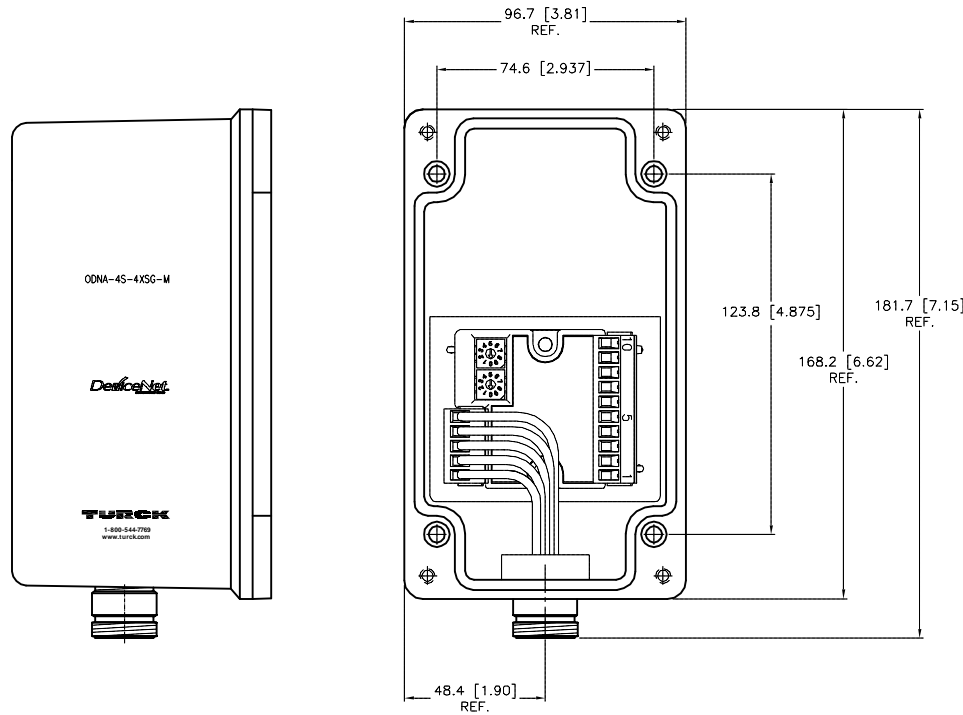


NOTES:

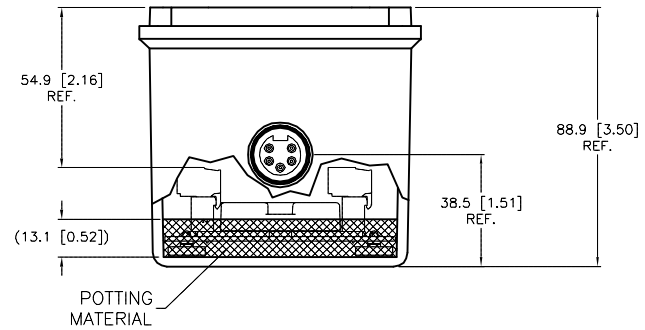
1. COVER MUST BE ORDERED SEPARATELY.

SUGGESTED COVERS:

- 1. OCA-B
- 2. OCA-1-22
- 3. OCA-2-22
- 4. OCA-3-22
- 5. OCA-1-30
- 6. OCA-2-30



CONN.	PIN#	COLOR	FUNCTION
J1	1	BK	V-
	2	BU	CAN_L
	3	GY	SHIELD
	4	WH	CAN_H
	5	RD	V+
CONN.	PIN#	COLOR	FUNCTION
J2	1	-	V+
	2	-	IN 7
	3	-	IN 6
	4	-	IN 5
	5	-	IN 4
	6	-	I/O 3
	7	-	I/O 2
	8	-	I/O 1
	9	-	I/O 0
	10	-	V-



SOURCE DRAWING - FOR REFERENCE ONLY

RELATED DOCUMENTS		3RD ANGLE PROJECTION		THIS DRAWING IS CONFIDENTIAL AND THE PROPERTY OF TURCK INC. USE OF THIS DOCUMENT WITHOUT WRITTEN PERMISSION IS PROHIBITED.		<p>3000 CAMPUS DRIVE MINNEAPOLIS, MN 55441 1-800-544-7769 (763) 553-7300 (763) 553-0708 fax www.turck.us</p>	
1. 2. 3. 4.				DRFT RDS DATE 07/27/07		DESCRIPTION	
MATERIAL		ALL DIMENSIONS DISPLAYED ON THIS DRAWING ARE FOR REFERENCE ONLY		DSGN		ODNA-4S-4XSG-M	
FINISH		CONTACT TURCK FOR MORE INFORMATION		UNIT OF MEASUREMENT <b>MILLIMETER [ INCH ]</b>		IDENTIFICATION NO.	
A DRAWING RELEASE		*KH 10/25/07		DO NOT SCALE THIS DRAWING		F2015	
REV DESCRIPTION		BY DATE ECO NO.		FILE: F2015		REV A	
						SHEET 1 OF 1	

A	DRAWING RELEASE	*KH	10/25/07	
REV	DESCRIPTION	BY	DATE	ECO NO.